

MAULE

AEROSPACE
TECHNOLOGY, INC.

FAA Approved: *klw*

Date: 9/7/99

SERVICE LETTER NO. 62

Page 1 of 4

Date: 8/24/99

SUBJECT: Nose Gear and Steering Yoke Attachment.

AIRPLANES AFFECTED: All Maule Models MXT-7 and MT-7.

STATUS: This Service Letter should be considered a caution of a potential safety problem. This inspection and possible field fix is designed to reduce the possibility of loss of control due to a possible shearing of the Steering Yoke Bolt. Replacement parts may be ordered from Maule Air, Inc.

BACKGROUND: Maule has received two reports that during field investigation of a nose wheel shimmy complaint, the AN4 bolt that goes through the nose gear tube assembly and the steering yoke was found partially or completely sheared at both the head and thread ends. Maule believes that the bolt is damaged during ground handling with a tow motor or tow bar, while maneuvering the aircraft at a shorter turn radius than it was designed for.

COMPLIANCE: It is recommended that this Service Letter be complied with at next 100 Hour or Annual Inspection unless nose wheel shimmy is experienced or you have knowledge that a sharp turn was executed during the moving of airplane.

ACTION TO BE TAKEN AND MATERIAL REQUIRED:

- 1) Remove Engine cowling. Center and block nosewheel so that it cannot turn left or right.
- 2) Check for looseness between steering yoke and nose gear tube.
- 3) If yoke is tight, no further action is required.
- 4) If yoke exhibits any looseness, proceed with the following steps (5) through (10):
- 5) Remove nut (43), washer (42) and AN4-25A bolt (48) which is located below and through steering yoke (51) and nose gear tube assembly (14), (ref. Figure A). Stop bolt (44) and nut (45) or other hardware may require to be removed for clearance. Remove AN4H4A bolt (49) and washer (42) and inspect for damage.
- 6) Inspect steering yoke bolt holes where bolt was removed to see if holes have been elongated. Replace steering yoke (51) if you find the bolt hole(s) unsatisfactory.
- 7) Inspect steering yoke bolt (48) for shearing or wear and replace bolt if required. Elastic Nut (43) must be replaced. Replace bolt (49) if damaged.
- 8) Reverse above procedures to reassemble. Caution: Safety bolts again if safety wire was removed, (ref. Figure B).

ITS PERFORMANCE THAT COUNTS!
2099 Georgia Hwy. 133 South~Moultrie, GA 31768
Tel: 912-985-2045~Fax: 912-890-2402

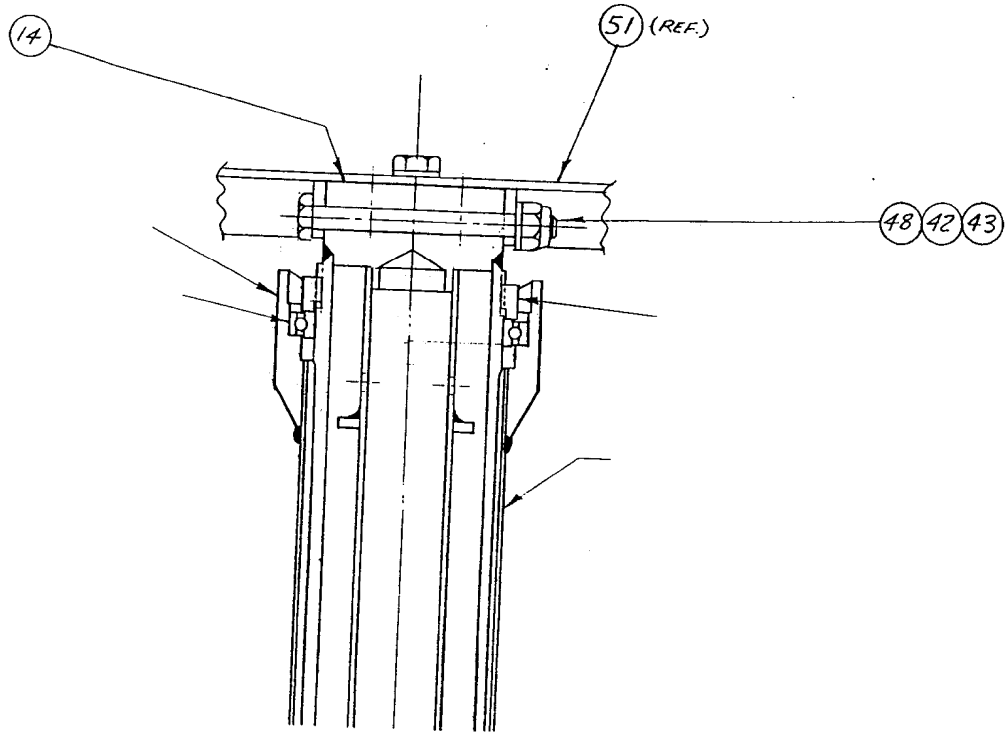


Figure A

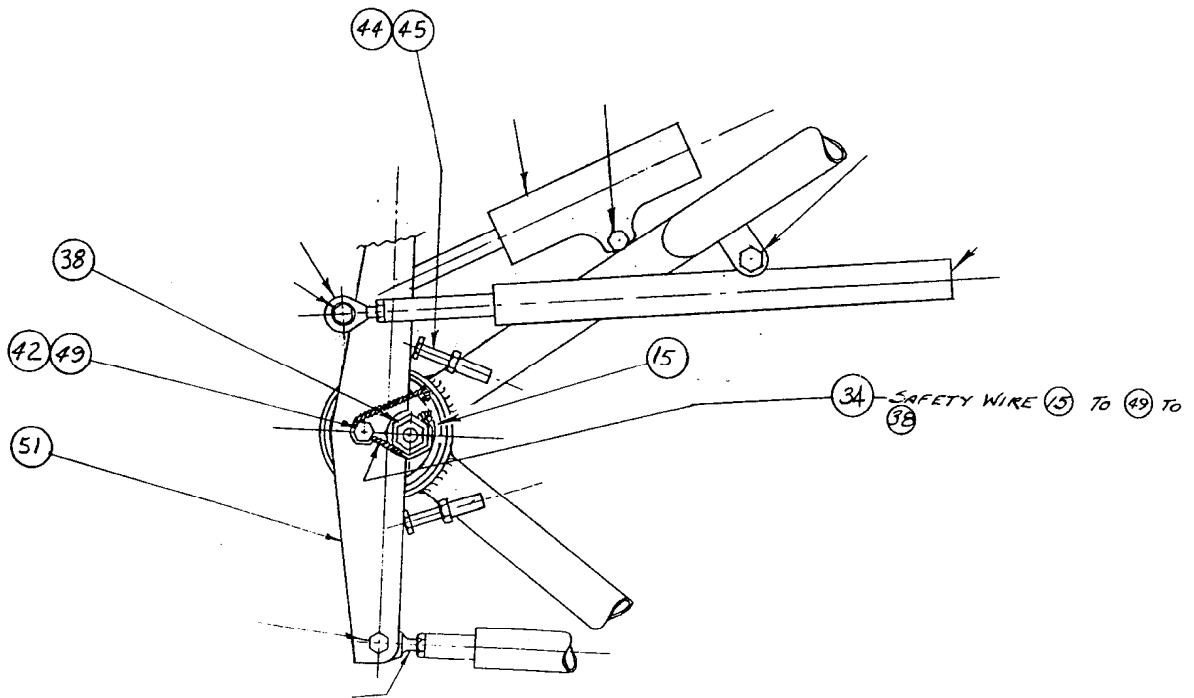
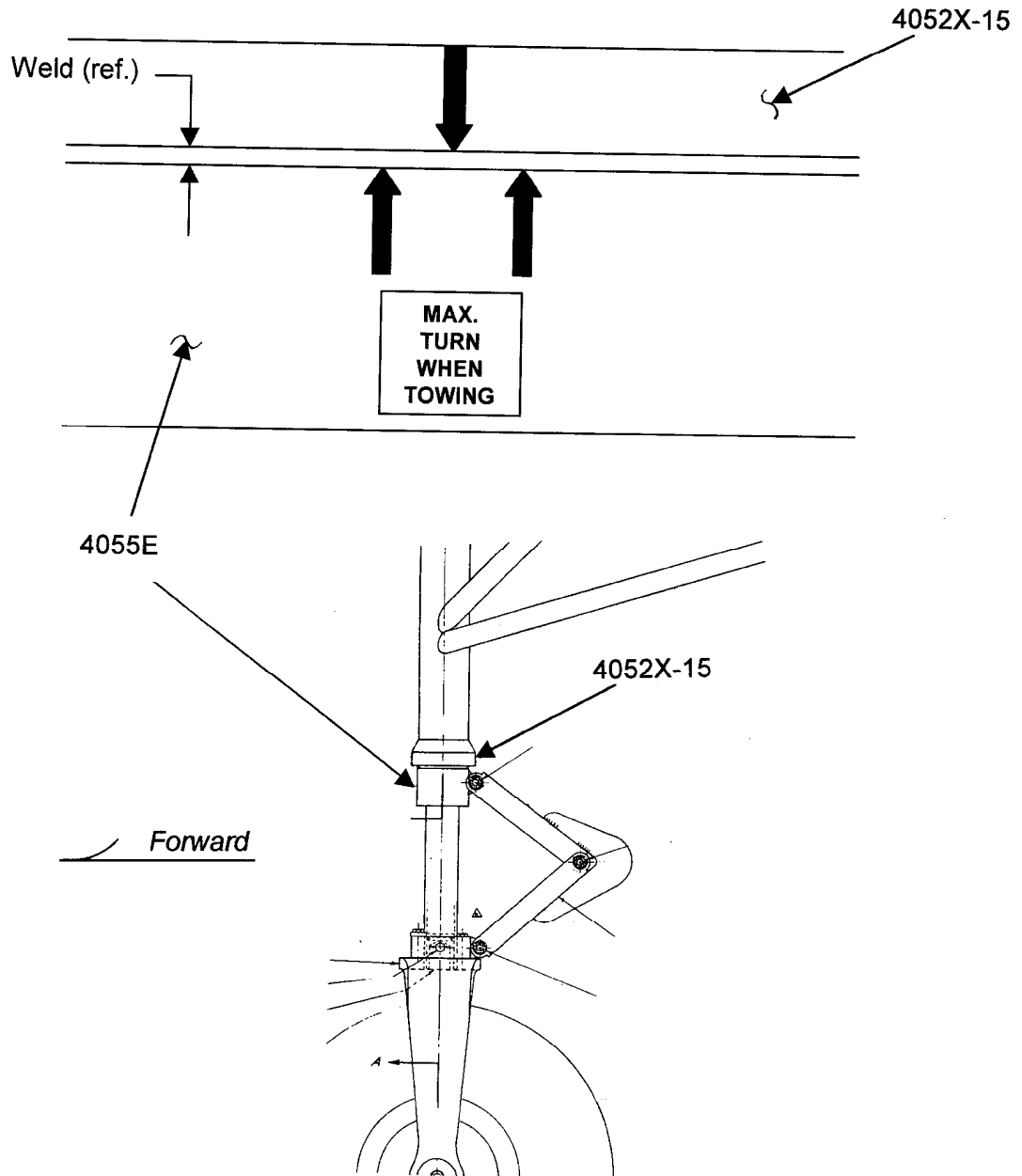


Figure B

- 9) Inspect the stop bolts (44) for damage and replace if necessary.
- 10) Install the turning limit decals supplied with this service letter. Align lower arrows with steering yoke against stops. Install on Forward side.



Document in aircraft records.

Note: Page 4 is the Service Letter Compliance Record Sheet and is to be completed and returned to Maule engineering records.



SERVICE LETTER NO. 62

COMPLIANCE RECORD SHEET

Aircraft Model _____

Aircraft Serial No. _____

Action taken (PLEASE CHECK WHATEVER APPLIES):

- Removed Steering Yoke Bolts (48) and (49) and found Bolts and bolt holes to be in satisfactory condition.
- Removed Steering Yoke Bolts (48) and (49) and found Bolt(s) to be in unsatisfactory condition and Bolt(s) and Nut(s) were replaced per this Service letter.
 Bolt (48) unsatisfactory Bolt (49) unsatisfactory
- Removed Steering Yoke Bolts (48) and (49) and found Bolt(s) and Yoke bolt holes to be in unsatisfactory condition and Bolt(s), Nuts and Steering Yoke were replaced per this Service letter.
 Bolt (48) unsatisfactory Bolt (49) unsatisfactory

Owner's Name _____

Owner's Address _____

City _____ State _____ Zip _____

Certified by _____ Title _____
Signature Owner, A & P. IA. Etc.

Date performed _____

If you no longer own this airplane, please fill in new owner's information and return to factory address below:

New Owner's Name _____

New Owner's Address _____

City _____ State _____ Zip _____

Please mail this Compliance Record to: Maule Air, Inc.~Engineering Records~2099 Georgia Highway 133 South~Moultrie, GA 31768 USA

ITS PERFORMANCE THAT COUNTS!
2099 Georgia Hwy. 133 South~Moultrie, GA 31768
Tel: 912-985-2045~Fax: 912-890-2402