



Maule Aircraft Corporation

SPENCE AIR BASE

PHONE (912) 985-2046

MOULTRIE, GEORGIA 31768

February 18, 1971

Page 1 of 3

Service Letter #21

Subject: Bucket Seats

Models: M-4-180C and M-4-220C Series Aircraft

Serial No.

M-4-180C 3001C thru 3004C

M-4-220C 2044C thru 2063C

Gentlemen:

We have discovered that there is a possibility that the bucket seats can come out of track.

It is mandatory that this service letter be accomplished before the next flight.

Sincerely yours,
MAULE AIRCRAFT CORPORATION

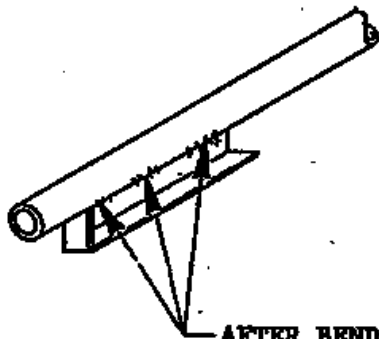
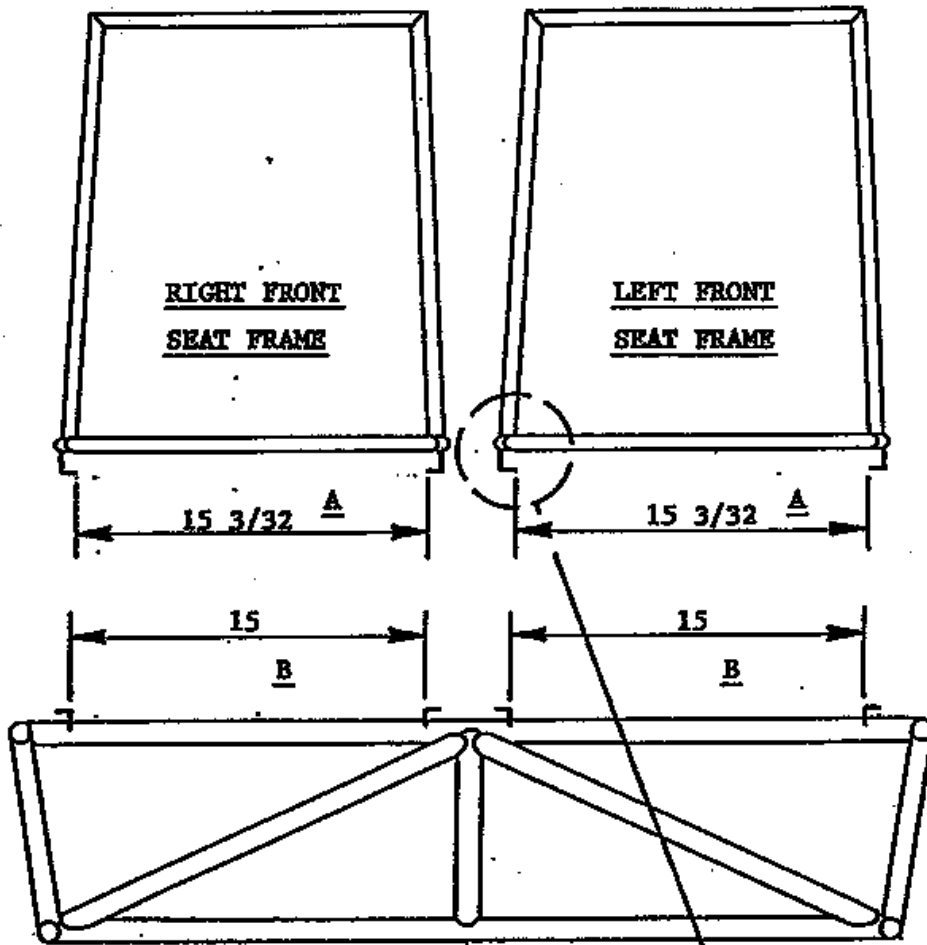


B. D. Maule,
President

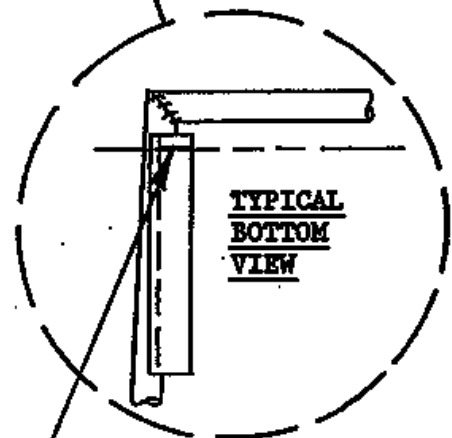
BDM/jj

(AD#71-06-06)

1. Remove seats.
2. Measure distances "A" & "B" as shown on drawing (Page 3).
3. If distance of "A" is not more than $3/32$ " longer than "B", the track is considered to be satisfactory.
4. If "A" is greater than "B" by more than $3/32$ ", repair must be made by bending track in the proper amount. There must be at least $5/32$ " catch in the track when seat is shifted to one side as far as possible.
5. Bending track may be accomplished by using an 8" crescent wrench sliding it over the track and using a small block at the end of the jaw to block it out of the width of the track. The track must be cut adjacent to the end plate to permit bending.
6. Reweld track as per drawing, on page 3, using electric or acetylene welder.



AFTER BENDING REWELD
ON INSIDE $\frac{3}{4}$ INCH
LONG IN 3 PLACES AS
INDICATED.



SAW TRACK HERE $\frac{1}{2}$ INCH DEEP
AND REWELD AFTER BENDING.

MAULE AIRCRAFT CORPORATION
SERVICE LETTER #21 - COMPLIANCE RECORD

Airplane Serial Number _____

Airplane Registration Number _____

The following action was taken with respect to this Service Letter:

Service Letter #21 completed

Certified by _____

(Signature)

(Printed name)

Title _____

(Owner, A&P, IA, etc.)

Date performed: _____

In an effort to keep our mailing list current for sending Service Letters, Service Bulletins, etc., please fill in the following:

Owner's name _____

Owner's address _____

Mail this Compliance Record to: Maule Aircraft Corporation
Engineering Records
Spence Field
Moultrie, GA 31768