

*Maule Aircraft Corporation*

SPENCE AIR BASE

PHONE (912) 935-2045

MOULTRIE, GEORGIA 31768

PAGE 1 of 2

SERVICE LETTER #20

SUBJECT: ENGINE MOUNT PART #PA-X71

MODELS AFFECTED: M-4-SERIAL NUMBERS 4 thur 91

Gentlepersons:

It has been brought to our attention that the early engine mounts have been found cracked aft of rear engine mount hole.

It is mandantory that service letter #20 be accomplished within the next ten hours flying time.

An addressed compliance card is enclosed and must be filled out and returned for our records.

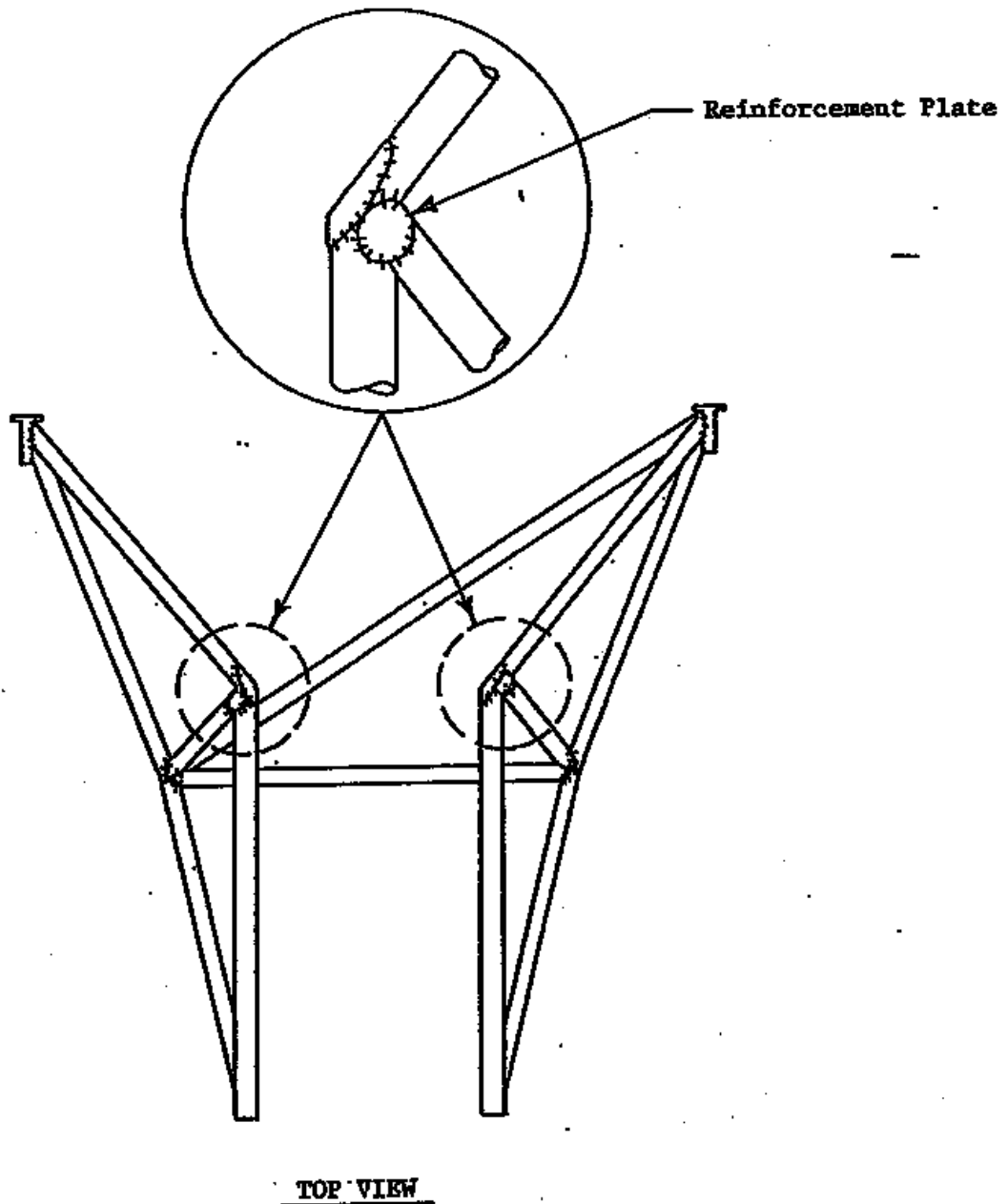
Please find enclosed instructions and bill of material for compliance.

Sincerely yours,  
MAULE AIRCRAFT CORPORATION

*Don Easter*  
Don Easter,  
Plant Manager

## INSTRUCTIONS AS FOLLOWS:

1. Inspect for cracks.
2. If cracks are found, repair in accordance with AC 43-13-1.
3. Place parts (PA-X71-24) in locations as shown below and tack weld.
4. Heat and form to contour of cluster.
5. Finish weld all around.



## BILL OF MATERIAL:

- 2 ea. PA-X71-24 Reinforcement Plate (Spec. 4130 st. Cond. N, Mil-S-18729c/  
Stock: .050 sheet X 1 1/4 Dia.)

MAULE AEROSPACE TECHNOLOGY, INC.

SERVICE LETTER #20 - COMPLIANCE RECORD

Airplane Serial Number \_\_\_\_\_

Airplane Registration Number \_\_\_\_\_

The following action was taken with respect to this Service Letter:



Service Letter #20 completed

Certified by \_\_\_\_\_

(Signature)

\_\_\_\_\_  
(Printed name)

Title \_\_\_\_\_

(Owner, A&P, IA, etc.)

Date performed \_\_\_\_\_

In an effort to keep our mailing list current for sending Service Letters, Service Bulletins, etc., please fill in the following:

Owner's name \_\_\_\_\_

Owner's address \_\_\_\_\_

Mail this Compliance Record to: Maule Aerospace Technology, Inc.  
Engineering Records  
Spence Field  
Moultrie, GA 31768