



# Maule Aircraft Corporation

6780 BROOKLYN ROAD

JACKSON, MICHIGAN - 49201

PHONE KE 6-8642  
AREA CODE 517

NOVEMBER 24, 1965

Service Letter # 10  
Model Effected M-4-210  
Mandatory on Serial No's 1002, 1003, 1005, 1006, and 1008  
thru 1014, 1016, 1017 1019, 1020, 1021 and 1023 thru 1027,  
and 1030, 1031 and 1033.  
FAA approved

Dear Customer:

There has been some cracking of the engine mount tubes adjacent to the rear engine mount support fitting. These failures are more prevalant at the right rear support location and were in the tubing around the rear of the bracket.

Please make a visual inspection using at least a 10 power magnifying glass at this point on both sides and if any cracks are found have your aircraft repaired as per the enclosed instructions before flying it.

If no cracks are found inspect before each flight and have the repair made at the earliest possible opportunity.

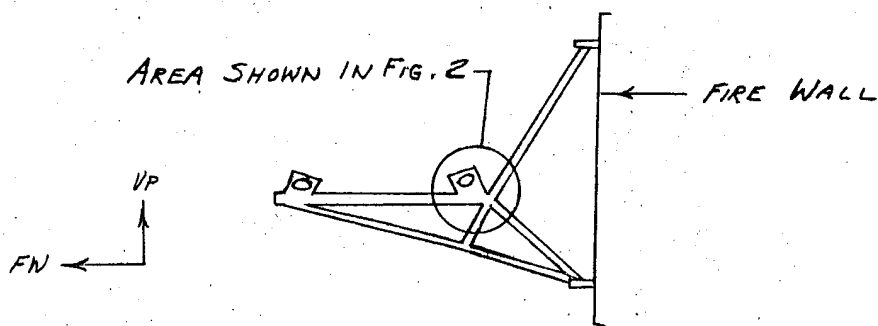
Please find enclosed reinforcement fitting and installation instructions.

Very truly yours

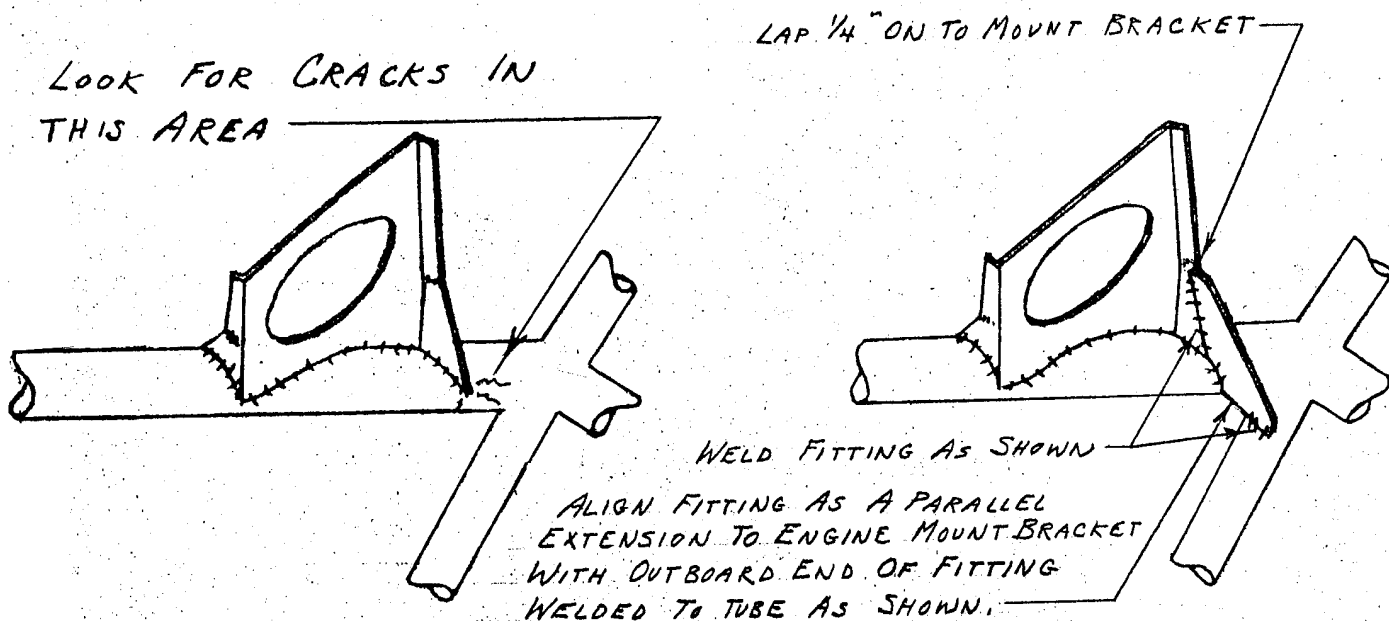
Daniel Yother

Instruction Sheet  
Service Letter # 10

1. Remove all paint and clean metal around areas to be welded using a wire brush.
2. If cracks are less than 3/8 inches long they can be welded closed. If the cracks are longer than 3/8 inch or if the tubes are severely cracked around the fitting, repair as per CAM 18.
3. Install the reinforcement fittings PA-X563-28 as shown in Figure 2.
4. Clean the welded area using a wire brush or sand blaster and re-paint using a good zinc chromate primer.
5. Fill-out and return enclosed card.



LEFT SIDE VIEW ENGINE MOUNT SHOWING INVOLVED AREA  
FIG. 1



LEFT SIDE VIEW RIGHT SIDE OPPOSITE  
FIG. 2

MAULE AEROSPACE TECHNOLOGY, INC.

SERVICE LETTER #10 - COMPLIANCE RECORD

Airplane Serial Number \_\_\_\_\_

Airplane Registration Number \_\_\_\_\_

The following action was taken with respect to this Service Letter:



Service Letter #10 completed

Certified by \_\_\_\_\_

(Signature)

\_\_\_\_\_  
(Printed name)

Title \_\_\_\_\_

(Owner, A&P, IA, etc.)

Date performed \_\_\_\_\_

In an effort to keep our mailing list current for sending Service Letters, Service Bulletins, etc., please fill in the following:

Owner's name \_\_\_\_\_

Owner's address \_\_\_\_\_

Mail this Compliance Record to: Maule Aerospace Technology, Inc.  
Engineering Records  
Spence Field  
Moultrie, GA 31768